



# Series 2000 Garage Doors

Superior design, engineering excellence

**HÖRMANN**









## CONTENT

- 4 Good reasons to try Hörmann
- 6 Hörmann Series 2000 steel up-and-over doors
- 10 Hörmann Series 2000 timber up-and-over doors
- 14 Glazings
- 15 Manual release
- 16 Overview of colour and surface finishes
- 18 Retractable door
- 20 Canopy door
- 22 The open-for-infill frame
- 24 Door renovations
- 28 The innovative Hörmann operators
- 32 Accessories
- 36 Fitting details

### Please note:

Some of the doors shown are equipped with optional extras and do not always correspond to our standard models.

The surface finishes and colours shown are subject to the limitations of the printing process and cannot be regarded as binding.

All rights reserved. No part may be reproduced without our prior permission. Subject to changes.

The complete warranty conditions can be found at [www.hormann.co.uk](http://www.hormann.co.uk)

◀ Marquess, Decograin

“A good name has to be earned.”

August Hörmann

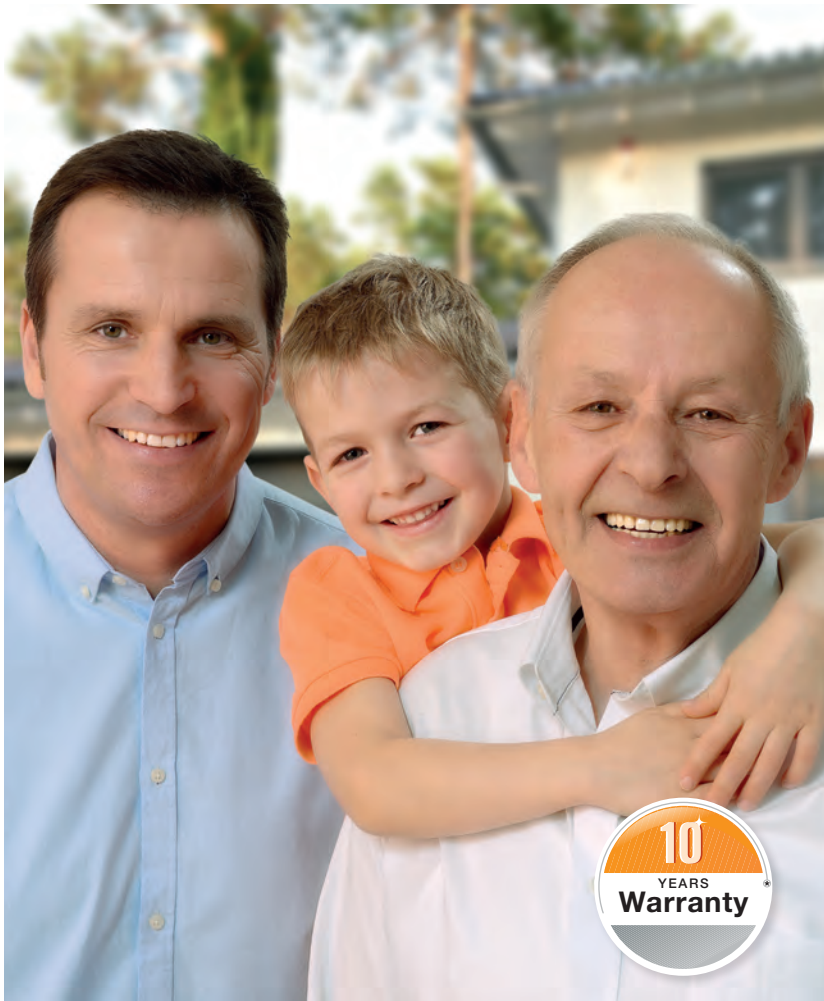
In line with the founder's philosophy, the Hörmann brand today is a true promise of quality. The family-owned company has over 80 years of experience in door and operator construction and, with sales of over 20 million doors, is no. 1 in Europe. This is very reassuring when buying a Hörmann Series 2000 garage door.



1 Based on German engineering, assembled in the U.K.

All doors and operator components are developed and manufactured by Hörmann. Hörmann Series 2000 garage doors are assembled at the Hörmann factory in Leicestershire from components sourced from both the continent and the UK.





## 2 Garage doors for generations

Thanks to excellent technical solutions and uncompromising quality assurance, you receive a 10-year warranty on all Series 2000 garage doors and 5 years on all Hörmann operators.\*

\* The complete warranty conditions can be found at: [www.hormann.co.uk](http://www.hormann.co.uk)

## 3 An eye on the future

Hörmann is setting a good example. This is why the company has obtained over 70 % of its required energy from green sources and will continue to increase this percentage. At the same time, many tonnes of CO<sub>2</sub> are saved each year thanks to the introduction of an intelligent and certified energy management system. And last but not least, Hörmann also offers products for sustainable construction. Find out more about Hörmann's environmental activities in the "We think green" brochure.



# Hörmann Series 2000 steel up-and-over doors

Series 2000 steel doors are timeless in appearance, never ageing your property. Whether choosing one of the ribbed or panelled designs, they offer a quiet elegance blending in with any environment whilst giving a lasting prestige.

The doors are galvanised with a high-quality polyester powder-coating and come protected against adverse weather conditions and corrosion, maintaining the long term beauty of the door.

► Style 2601 Elegance,  
Traffic white, RAL 9016









OVERVIEW OF SERIES 2000 STEEL UP-AND-OVER DOOR DESIGNS



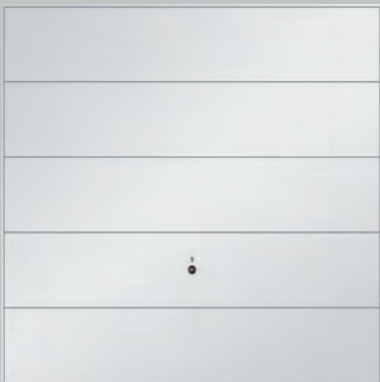
Style 2001 Vertical  
Traffic white, RAL 9016



Style 2002 Horizontal  
Traffic white, RAL 9016



Style 2601 Elegance  
only available in Traffic white, RAL 9016



Style 2602 Finesse  
only available in Traffic white, RAL 9016



Style 2103 Caxton  
only available in Traffic white, RAL 9016



Style 2101 Ilkley  
Traffic white, RAL 9016



Style 2004 Georgian  
Traffic white, RAL 9016  
also available in Decograin



Style 2304 Georgian with window  
Traffic white, RAL 9016



Countess  
only available Traffic white, RAL 9016

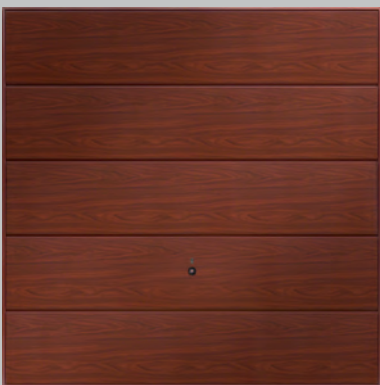


Marquess  
Traffic white, RAL 9016  
also available in Decograin

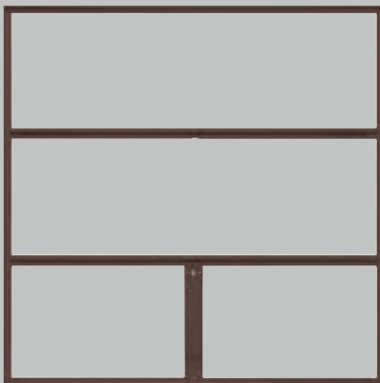




Vertical Decograin Golden Oak  
also available in Rosewood



Horizontal Decograin Rosewood  
also available in Golden Oak



Style 2011 Open-for-infill frame  
Terra brown, RAL 8028  
also available in Traffic white, RAL 9016



2001 Vertical

2004 Georgian

2601 Elegance

### Side door styles

Side doors come with a profile cylinder lock and a black, synthetic lever/lever handle set as standard. They are optionally available in the same material choices as the garage door handles, please see page 19.

Matching side doors are available for all steel designs except 2101, 2103, 2504.

#### Please note:

Up and over garage doors are generally available from 6'6" (1981 mm) to 14'0" (4267 mm) in 6" (152 mm) increments. Intermediate sizes are available in some styles in the following widths: 6'10" (2083 mm), 7'3" (2210 mm), 7'5" (2261 mm) and 7'8" (2337 mm). Standard heights are 6'6" (1981 mm) and 7'0" (2134 mm). Additionally some styles only, are available in 6'4" (1930 mm), 7'6" (2286 mm) and 8'0" (2438 mm).

Please see Series 2000 Price List at [hormann.co.uk](http://hormann.co.uk) for full availability and recommended structural opening sizes.



# Hörmann Series 2000 timber up-and-over doors

Whatever the style of your property, traditional or modern architecture, our styles of timber doors in either panelled or tongued and grooved design, offer you the choice to find a style that will add warmth and character to your home.

The carefully selected cedar wood is not only chosen for its aesthetic beauty but also for its natural durability.







▲ Style 2009 Vertical, Light Oak



▲ Style 2010 Chevron, Light Oak

◀ Style 2009 Vertical, Golden Oak

**Please note:**

All our timber doors are carefully manufactured and supplied with a factory-finish dip immersion coat, for temporary protection. We use Remmers Induline GW306 base stain primer 006 Light Oak. Additional on-site finishing is required. Fully finished wood stain and colour options are also available. With wood being a natural product, any finish may vary and movement of components and joints may occur, particularly in changes of weather from very wet to hot sunshine. This is what gives your door its individual character.

Wood needs protecting. That's why, in addition to the factory impregnation, it is important to apply a pigmented wood preservative to a timber garage door, in order to protect it against atmospheric influences and the effects of UV rays.



OVERVIEW OF SERIES 2000 TIMBER UP-AND-OVER DOOR DESIGNS



Style 2005 Measham



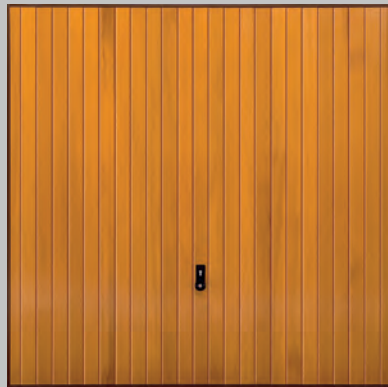
Style 2007 Jacobean



Style 2008 Tudor



Style 2014 Rutland



Style 2009 Vertical  
also available in Horizontal



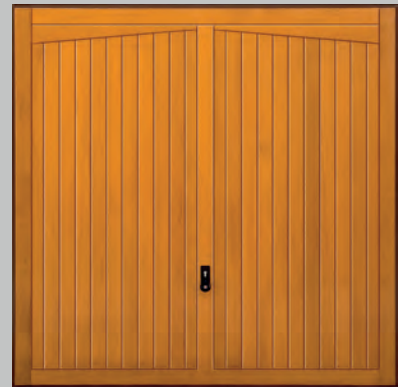
Style 2010 Chevron



Style 2013 Caxton



Style 2019 Garage Light



Style 2020 Gatcombe



Style 2019 Mallory  
available in Horizontal or Vertical



Style 2014 Shepshed



Style 2019 Leicester





Style 2121 Chesterfield



2019 Garage Light



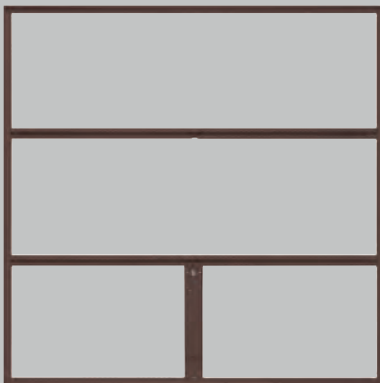
2008 Tudor



2020 Gatcombe



Style 2122 Middleton



Style 2011 Open-for-infill frame  
Terra brown, RAL 8028  
also available in Traffic white, RAL 9016

### Side door styles

Side doors come with a profile cylinder lock and a black, synthetic lever/lever handle set as standard. Optional available in the same material choices as the garage door handles, please see page 19.

Matching side doors are available for all timber designs.

#### Please note:

Up and over garage doors are generally available from 6'6" (1981 mm) to 14'0" (4267 mm) in 6" (152 mm) increments. Intermediate sizes are available in some styles in the following widths: 6'10" (2083 mm), 7'3" (2210 mm), 7'5" (2261 mm) and 7'8" (2337 mm). Standard heights are 6'6" (1981 mm) and 7'0" (2134 mm). Additionally some styles only, are available in 6'4" (1930 mm), 7'6" (2286 mm) and 8'0" (2438 mm).

Please see Series 2000 Price List at [hormann.co.uk](http://hormann.co.uk) for full availability and recommended structural opening sizes.



## Clear views with glazing

An additional glazing is not just a design element. Daylight ensures a bright, friendly atmosphere. Ideal, if the garage is also used as a workshop.

Select depending on the door style different types of glazing.

- 1 Georgian, plain
- 2 Georgian, diamond
- 3 Georgian, crossed
- 4 Ilkley, crystal
- 5 Ilkley, black
- 6 Plain
- 7 Diamond
- 8 Crossed

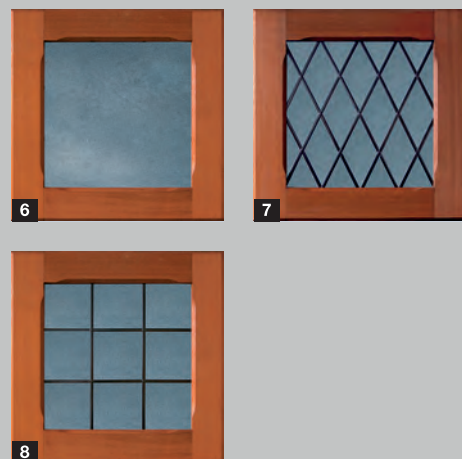
\* All windows come with crystal panes. Frames come white as standard with colour options available.

\*\* The simulated 'leaded light' designs can be combined with a clear or stippled opaque pane. Panes are made of tough, durable perspex.

### Series 2000 Steel up-and-over Georgian and Ilkley designs \*



### Series 2000 Timber up-and-over Garage light design \*\*





## A beautiful handle adds value

Its ergonomic design gives you a safe and firm grip. Side doors come with a profile cylinder lock and a black, synthetic lever / lever handle set as standard. They are available in the same material choices as the garage door handles. Optional lever / knob handle set available.



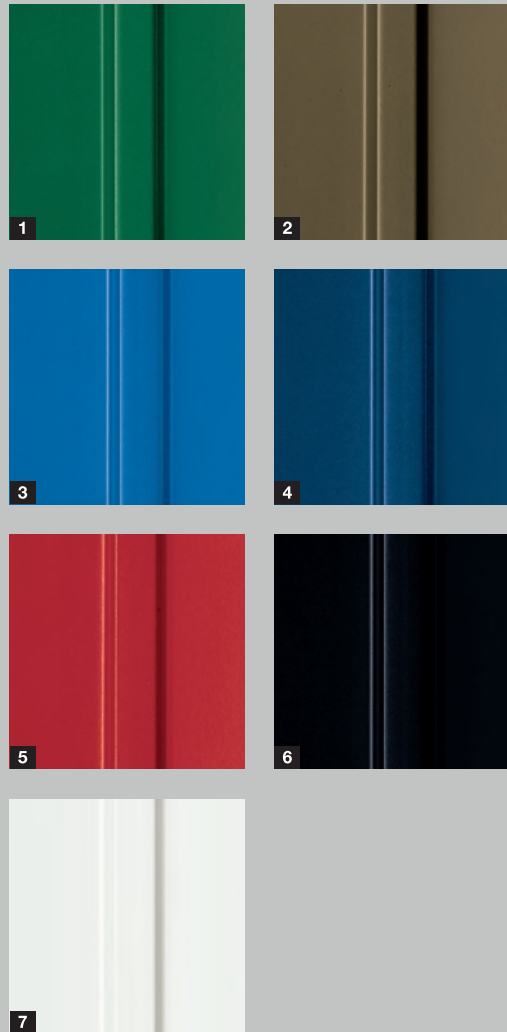
- 1** Synthetic black, standard
- 2** Side door handle black, standard
- 3** Cast aluminium, white
- 4** Cast aluminium, brown
- 5** Cast aluminium, silver finish
- 6** Brushed, stainless steel
- 7** Polished, stainless steel

## Choose between Steel and Timber design

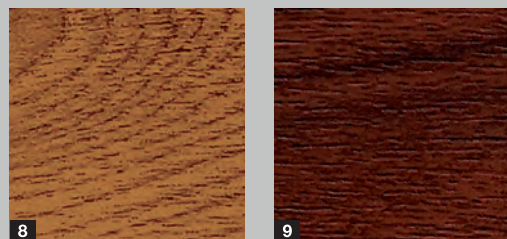
All our steel door designs come in Traffic white (RAL 9016) as standard, except for the open-for-infill frame which comes in Terra brown (RAL 8028).

Contact your Hörmann specialist dealer for advice regarding coloured doors.

### Colour options for Steel design



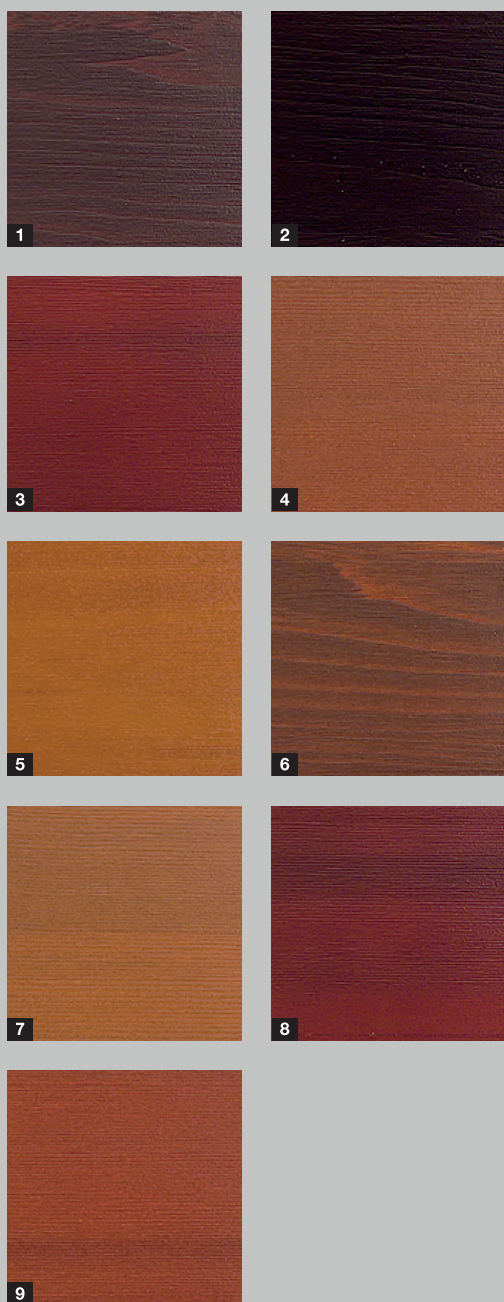
### Surface options for Steel design



- 1 RAL 6005 Moss green
- 2 RAL 8028 Terra brown
- 3 RAL 5005 Signal blue
- 4 RAL 5011 Steel blue
- 5 RAL 3003 Ruby red
- 6 RAL 9005 Jet black
- 7 RAL 9016 Traffic white
- 8 Decograin Golden Oak
- 9 Decograin Rosewood

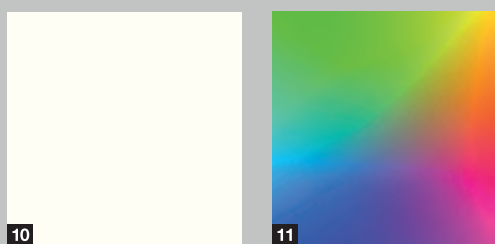


### Wood stain for Timber design \*



- 1** Walnut
- 2** Ebony
- 3** Rosewood
- 4** Medium Oak
- 5** Light Oak
- 6** Dark Oak
- 7** Golden Oak
- 8** Mahogany
- 9** Teak

### Colour options for all Timber design \*\*



- 10** White
- 11** RAL to choose

\* With wood being a natural product the finish of the doors supplied may vary from those shown.

\*\* Our timber doors are now available in a white and RAL to choose colour options.

# Safety features to the latest European Standard 13241-1



1 Finger-trap protection



2 Track roller well



3 Spring system



## Safety checklist for your old retractable up-and-over door

- Do flexible plastic strips on the frame and door leaf prevent trapped fingers? **1**
- Is there a safety distance of 25 mm between the lifting arm and the frame? **1**
- Does the bearing bracket have protective caps to prevent injury if inadvertently reached into? **1**
- Is the door safely and securely guided as well as protected against uncontrolled movements? **2**
- Are the tracks designed in such a way that it is impossible for the rollers to derail? **2**
- After opening, does the door come to a safe stop? **2**
- Is the door leaf safeguarded against crashing to the floor? **3**
- Is it guaranteed that even if a spring should break, an imbalance no greater than 200 N is produced? **3**
- Are the springs safeguarded to prevent them from being catapulted into the air? **3**
- Is the spring system designed in such a way that there is no risk of trapped fingers? **3**
- On power-operated up-and-over doors: are the maximum closing forces to EN 13241-1 complied with?

Even if you have answered only one of the above with “no”, your door is no longer safe.

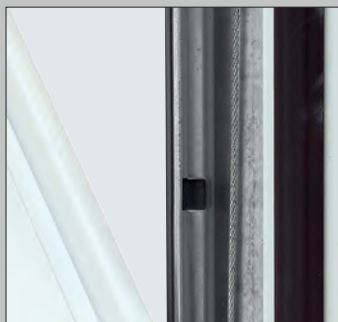
## Retractable door

- Retractable mechanisms are ideally suited to automatic operation.
- Single or double door version available.
- An optional 4 point locking kit is available. It comprising steel locking bar rods and slam-shut latches to increase the number of locking points.
- Hörmann offers a steel fixing frame for all single and double retractable doors. This frame makes an on-site timber frame redundant and saves valuable installation time as it is quick and easy to fit.

# Safety features to the latest European Standard 13241-1



1 Cable drum



2 Internally guided cables



3 Anti-fall safeguard

4 Protective cover profiles



## Safety checklist for your old canopy up-and-over door

- Is the door safely and securely guided as well as protected against uncontrolled movements? **1**
- Does your door have a cable drum with deep grooves to ensure the cable fits securely and prevents cables jumping? **1**
- Are the door's cables internally guided? **2**
- Is there an anti-fall safeguard fitted to your present door to prevent injury if a cable breaks? **3**
- Are the tracks designed in such a way that it is impossible for the rollers to derail? **3**
- After opening, does the door come to a safe stop? **3**
- Do protective cover strips on the frame and the door leaf prevent trapped fingers? **4**

Even if you have answered only one of the above with “no”, your door is no longer safe.

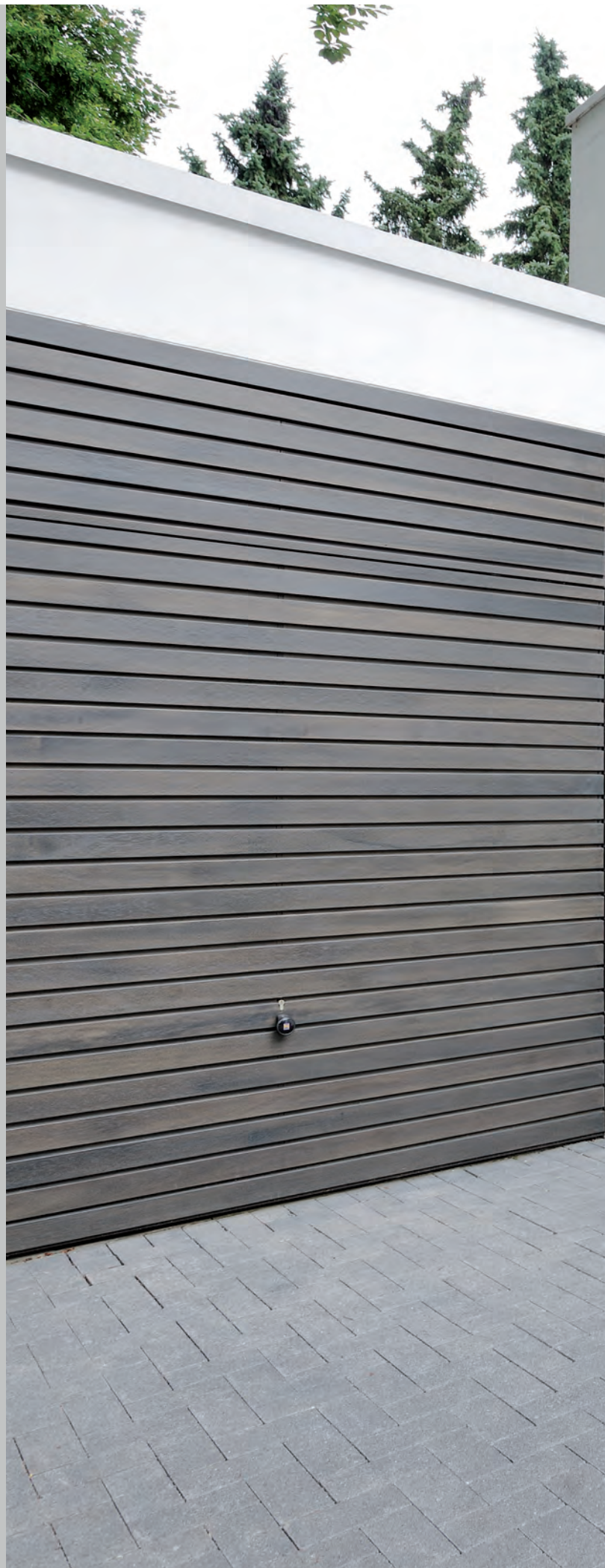
## Canopy door

- Only Single door version available.
- An optional 4 point locking kit is available. It comprising steel locking bar rods and slam-shut latches to increase the number of locking points.
- Hörmann offers a steel fixing frame for all single and double retractable doors. This frame makes an on-site timber frame redundant and saves valuable installation time as it is quick and easy to fit.

## Design your own door with the open-for-infill frame

- Extremely sturdy frame construction with reinforced struts. Fully welded!
- Min. infill weight: 6 kg per m<sup>2</sup>, max. infill weight 10 kg per m<sup>2</sup>.
- Fully galvanised, door leaf frame additionally with high-grade polyester primer coating Terra brown (RAL 8028) or Traffic white (RAL 9016).
- Frame and struts pre-drilled at 30 mm spacings.
- Illustrated fitting instructions with suggested designs.

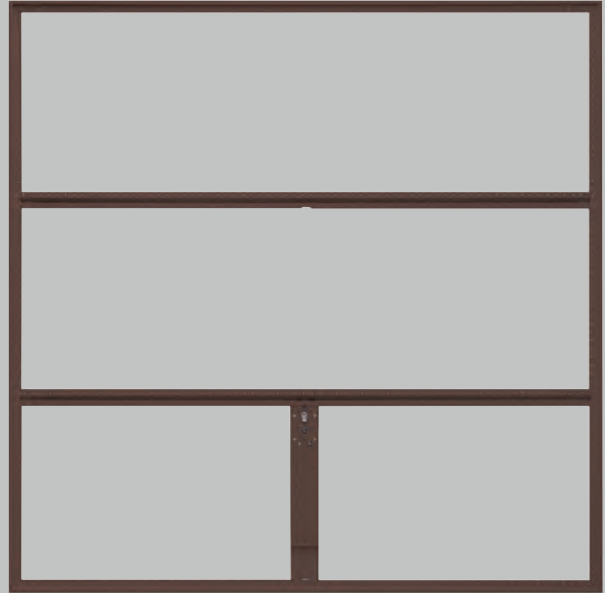
With design 2011 open-for-infill, door widths of up to 5 m are possible (for any width over 4267 mm, please refer to the N500 range) if the permissible infill weight is complied with.





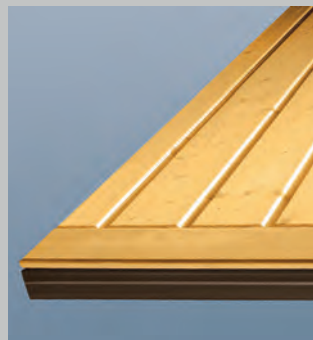


The Hörmann open-for-infill leaf frame is perfectly prepared to accept a timber infill of your own design.

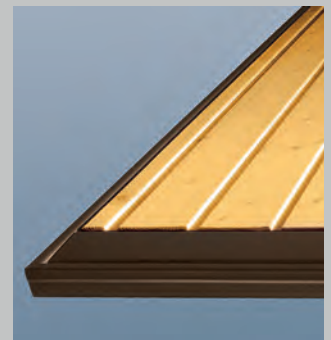


2011 open-for-infill frame  
Door width up to 4267 mm

This door construction offers you two design options:



Infill overlapping the frame, whereby the frame and bottom section are entirely concealed.



Timber infill within the frame with visible bottom section to protect against spray water.



## Hörmann offers optimal solutions for every fitting and renovation situation

Benefit from the inexpensive standard sizes. Of course, we can also easily provide you with any required special solutions.

In addition, your Hörmann partner's all-inclusive package:

- Expert advice
- Measurements on site
- Professional installation
- Construction and environmentally sound disposal









MODERNISE AND ENHANCE







### Compensation panels and modernisation panels

Should your garage opening be higher and wider than the inexpensive standard sized garage door, simply adjust the sides and the lintel with panels that match the door. If the brickwork is damaged while removing the old door, modernisation panels **1** ensure a clean result without the need for further plastering.



### Rubber bottom profiles (optional)

In garages without a threshold, a flexible, weather-resistant rubber bottom profile helps keep out passing debris.



### Optional retractable plus

Still conforming to the EN 13241-1 this gear allows for a clear drive through passage wider than the standard retractable gear. This makes parking the car in the garage a lot more convenient.



# The innovative Hörmann operators for automatic sectional and up-and-over garage doors

Hörmann garage door operators are perfectly matched to your Hörmann garage door. The result: simple operation, maximum convenience and the greatest operational safety. Our elegant hand transmitters allow you to open your gate from your car as easily as you would operate a TV. You can also operate your door using stationary control elements, such as a radio code switch or radio finger-scan.



Garage Door  
and Entrance Gate Operators

Handheld remote controls / Universal code keys



For further information  
ask your specialist dealer  
for this brochure or visit  
[www.hormann.co.uk](http://www.hormann.co.uk)





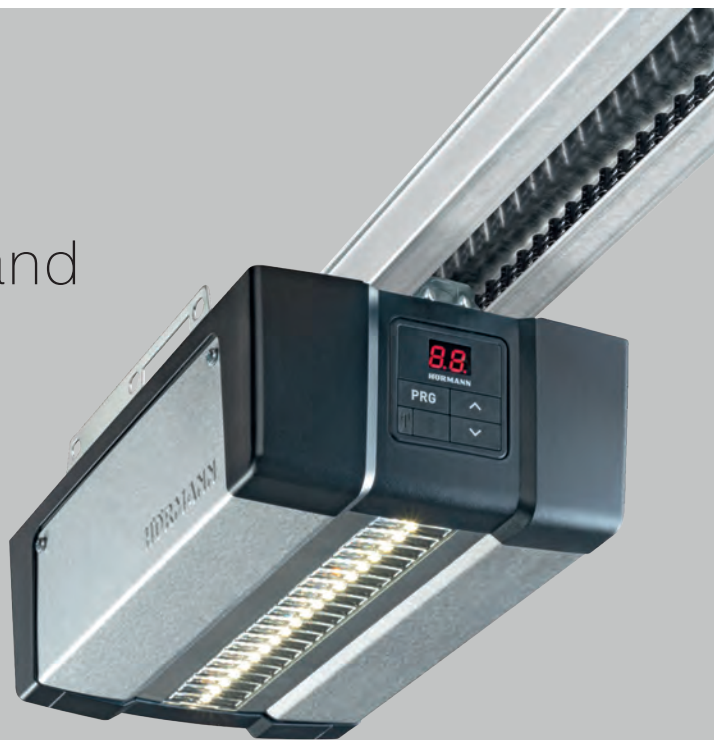




# SupraMatic 4

## Supra-fast door opening and smart additional functions

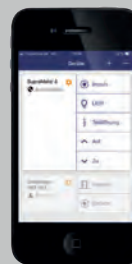
- 75 % faster opening speed\* up to 25 cm/s\*\*
- Smart operation with the BlueSecur app  
■ **NEW**
- Convenient garage ventilation
- Up to 3 to 5 times\*\*\* brighter LED lighting
- Extremely easy programming thanks to 2 x 7-segment display
- High-quality stainless steel operator cover
- Networked with Smart Home systems via the HCP interface
- Low power consumption in standby below 1 watt



As standard with two 4-button hand transmitters HSE 4 BS, textured surface black with chrome caps

Garage door operators	SupraMatic E ■ <b>NEW</b>	SupraMatic P ■ <b>NEW</b>
Bluetooth receiver	Integrated, can be switched on and off	Integrated, can be switched on and off
HCP bus connection	Integrated	Integrated
Cycles per day / hour	25 / 10	50 / 10
Pull and push force	650 N	750 N
Peak force	800 N	1000 N
Max. opening speed	25 cm/s**	25 cm/s**
Lighting	20 LEDs	30 LED chase light
Max. door width	5500 mm	6000 mm
Max. door surface	13.75 m <sup>2</sup>	15 m <sup>2</sup>

### Hörmann BlueSecur



Standard bluetooth receiver for smartphone operation using the Hörmann BlueSecur app

\* in comparison with ProMatic series 3

\*\* Up to 7.5 m<sup>2</sup> door leaf surface for the sectional garage door with SupraMatic E, up to 9 m<sup>2</sup> door leaf surface with SupraMatic P, up to max. 22 cm/s for larger door surfaces

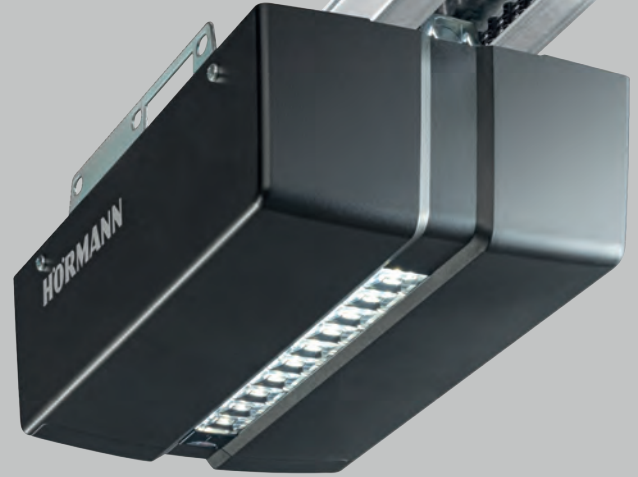
\*\*\* 3 times brighter with the SupraMatic E or 5 times brighter with the SupraMatic P in comparison to the ProMatic series 3



# ProMatic 4

## Premium quality at an attractive price

- 40 % faster opening speed\* up to 20 cm/s
- Convenient garage ventilation
- Up to 2 times\* brighter LED lighting
- Networked with Smart Home systems via the HCP interface
- Low power consumption in standby below 1 watt



As standard with two 4-button hand transmitters HSE 4 BS, textured surface black with plastic caps

ProMatic 2 Akku for garages without a power connection

Garage door operators	ProMatic 4 ■ NEW	ProMatic 2 Akku
Bluetooth receiver	Optional (HET-BLE)	
HCP bus connection	Integrated	
Cycles per day / hour	25 / 10	5 / 2
Pull and push force	600 N	350 N
Peak force	750 N	400 N
Max. opening speed	20 cm/s	13 cm/s
Lighting	10 LEDs	1 LED light
Max. door width	5000 mm	3000 mm
Max. door surface	11.25 m <sup>2</sup>	8 m <sup>2</sup>

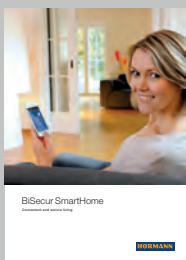


ProMatic 2 Akku with solar module

## Mobile and stationary

With Hörmann, everything fits together. Using the same hand transmitter, you can operate your garage door as well as an entrance gate equipped with a fully compatible Hörmann operator or other devices with Hörmann receivers. With the BiSecur app, you can conveniently control your Hörmann garage door or entrance gate operators, Hörmann entrance door\* and other devices using your smartphone or tablet. You can also display the door position for your garage door or entrance gate, as well as the locking state of your entrance door\* while on the go.

\* With special equipment



For further information,  
see the BiSecur Gateway brochure.









**Hand transmitter HS 5 BS**

4 button functions  
plus query button,

- 1 High-gloss black or white
- 2 Black texture



**Hand transmitter 4 BS**

4 button functions

- 3 Black texture

**Hand transmitter 1 BS**

1 button functions

- 4 Black texture

**Hand transmitter HSE 1 BS**

1 button function,  
incl. eyelet for key ring

- 5 Black texture



**Hand transmitter HSE 2 BS**

2 button functions  
incl. eyelet for key ring

- 6 High-gloss black or white

(Shown from left to right)

**Hand transmitter HSE 4 BS**

4 button functions  
incl. eyelet for key ring

- 7 Black texture with chrome  
or black plastic end caps

(Shown from left to right)



- 8 High-gloss surface with  
chrome caps in the colours:

Black, White, Anthracite grey,  
Frozen Grey, Classic Grey,  
Carbon, Silver

(Shown from left to right)





**10 Hand transmitter**  
**HSD 2-A BSA**  
Aluminium look,  
2 button functions,  
can also be used as a key ring

**11 Hand transmitter**  
**HSD 2-C BS**  
High-gloss chrome,  
2 button functions,  
can also be used as a key ring



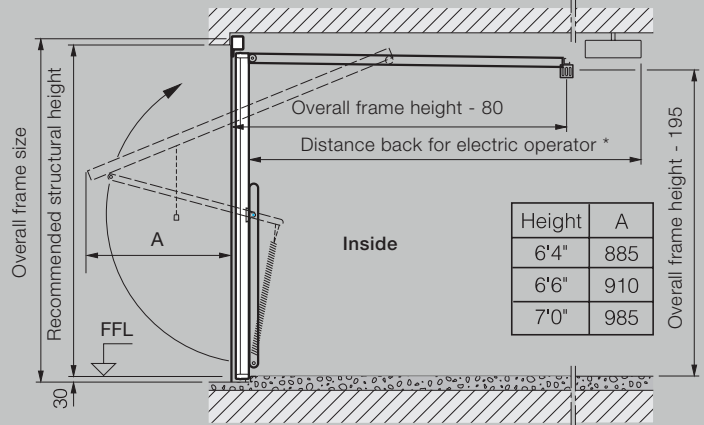
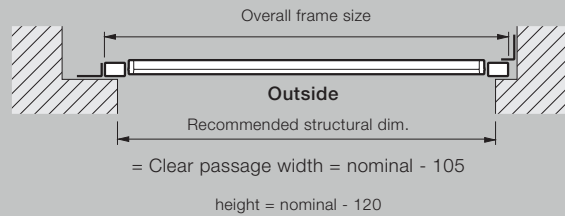
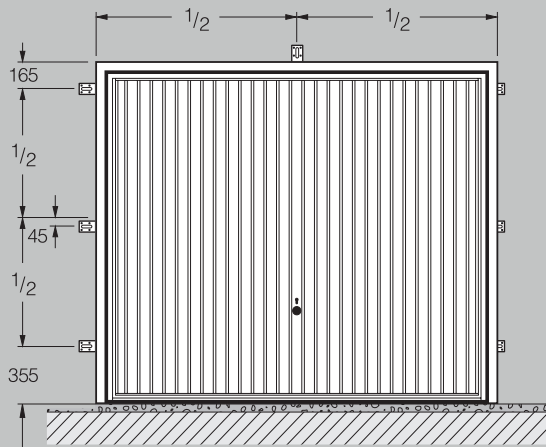
**12 Hand transmitter**  
**HSP 4 BS**  
4 button functions,  
with button lock-out,  
incl. key ring



**13 Hand transmitter**  
**HSZ 1 BS**  
1 button function,  
for insertion in vehicle  
cigarette lighter

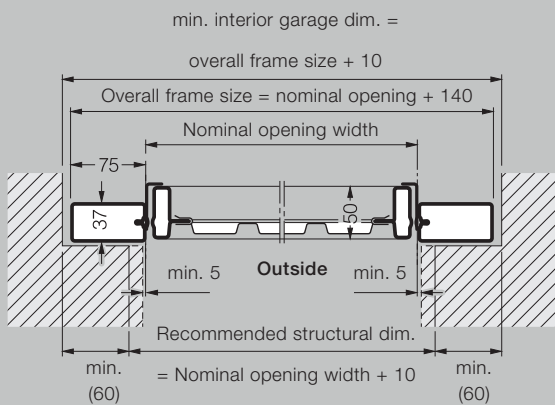
**14 Hand transmitter**  
**HSZ 2 BS**  
2 button functions,  
for insertion in vehicle  
cigarette lighter

Position of anchors



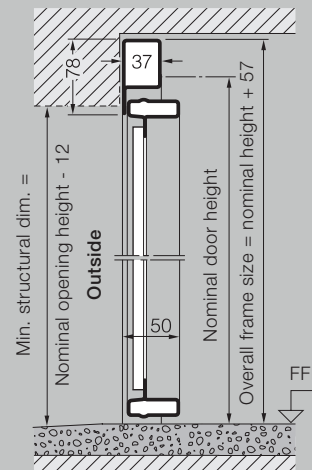
\* Distance back for ProMatic /SupraMatic electric operator:  
 3200 mm up to door height 2500 mm  
 3450 mm up to door height 2750 mm

Fitting behind the opening



The recommended structural dimensions are recommended planning dimensions. Minimum sideroom, headroom and opening sizes are all based on these dimensions.

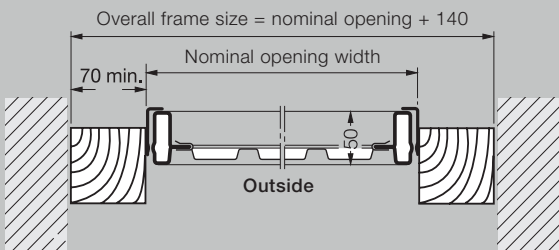
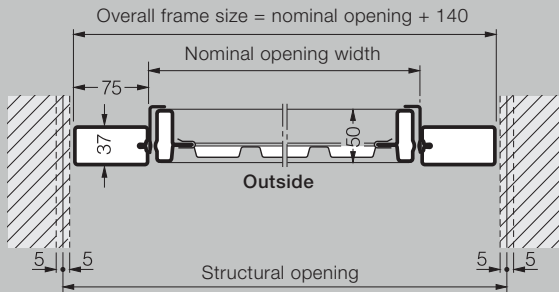
Door with flat floor



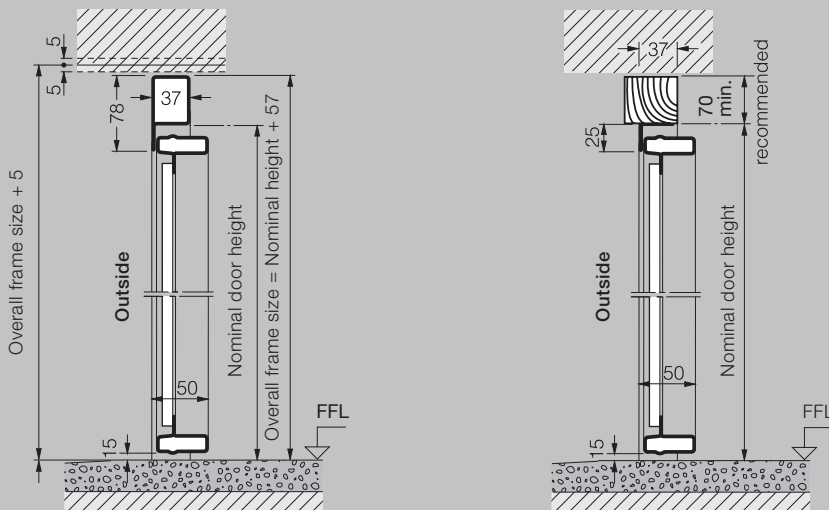
**With ProMatic /SupraMatic operator**  
 No additional headroom required.  
 Exception: some timber designs allow 15 mm clearance.



## Fitting in the opening



Fitting in the opening requires that the given dimensions be adhered to with greater accuracy.

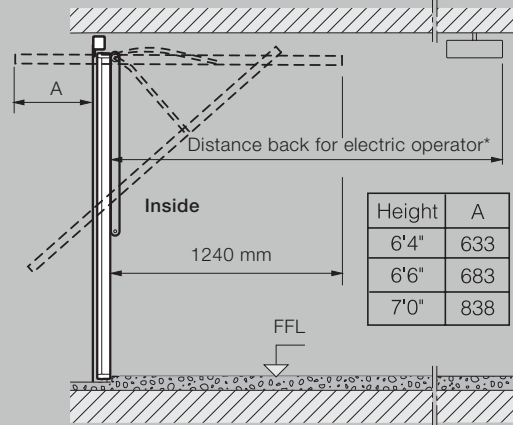
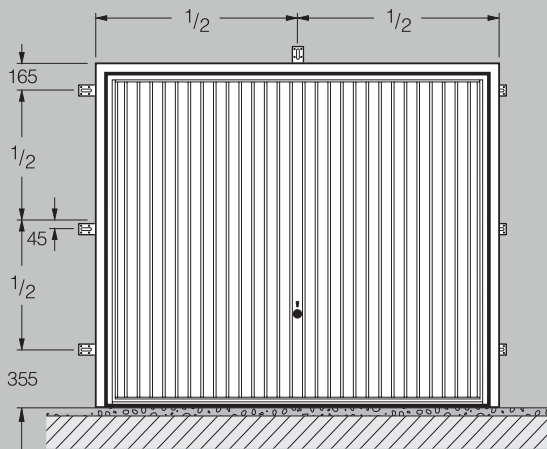


### With ProMatic / SupraMatic operator

No additional headroom required.

Exception: some timber designs allow 15 mm clearance.

Position of anchors

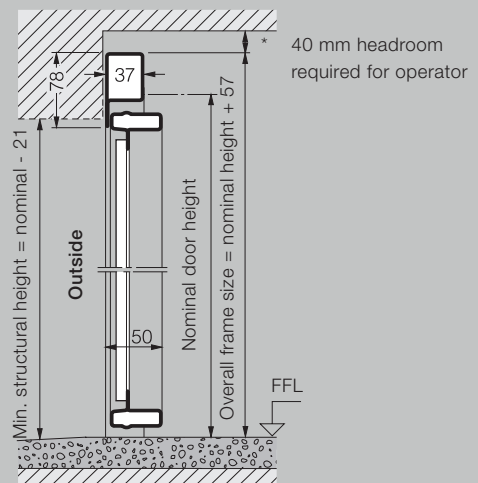
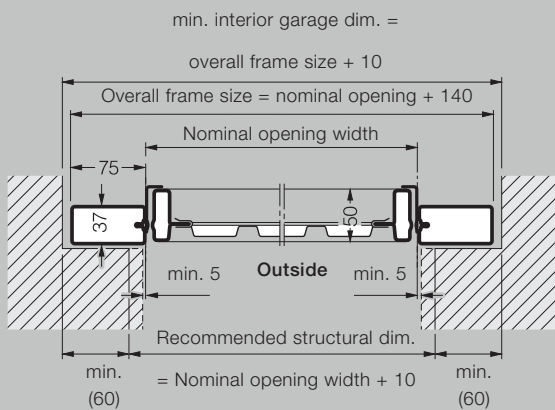


Clear passage

Width: nominal opening less 40 mm (1½") only within bottom 1/3 due to flexible seals.  
 Height: nominal door height - 140.

For doors with operator 40 mm headroom above top crossframe required.  
 (Overall frame size + 40 mm)

Fitting behind the opening

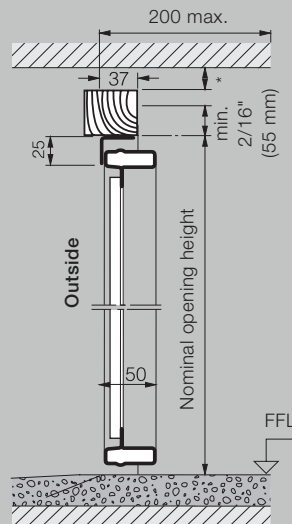
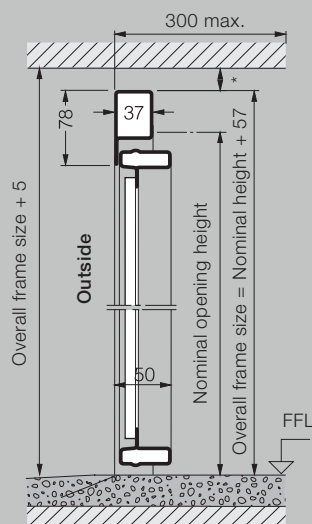
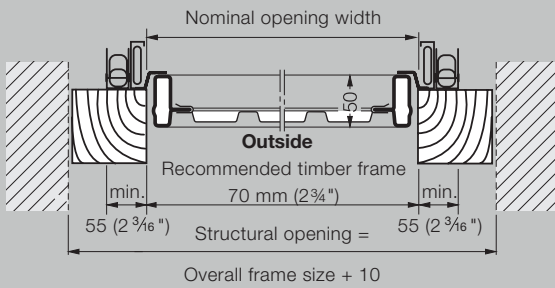
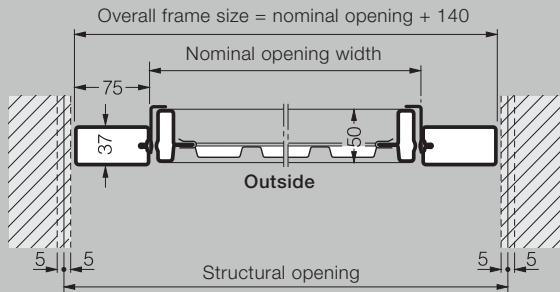


Behind opening installation with the Hörmann steel frame allows for a wider range of structural openings to be spanned, this can be particularly helpful with non-standard openings which would normally require special sized doors. The diagrams show the minimum tolerances that should be adhered to.

The overall frame sizes are shown as additions to the nominal opening sizes.



## Fitting in the opening

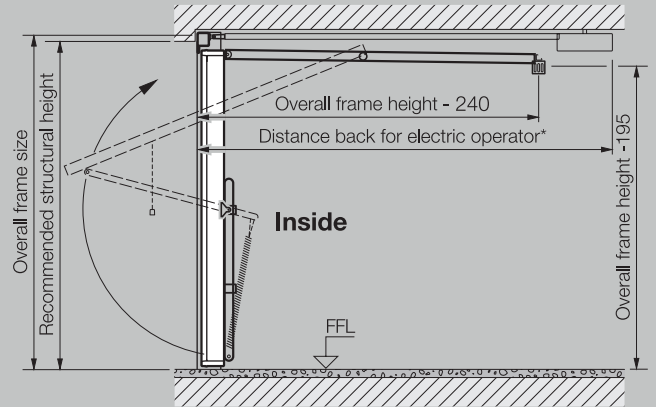
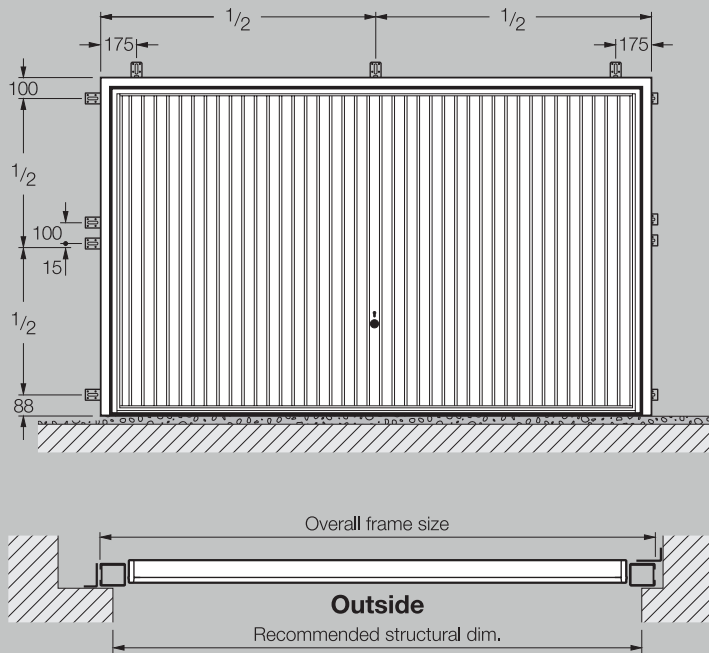


\* 40 mm headroom required for operator

The size chart gives the structural opening sizes for each door size, this frame is the standard 2 3/4" (70 mm) square. A narrow application gear is provided for doors to be fixed to timber frames allowing the frame to be a minimum of 2 3/16" (55 mm) square if required, allowing the door to be fitted to smaller structural opening. For electric operation with canopy door a bow arm must be purchased separately.

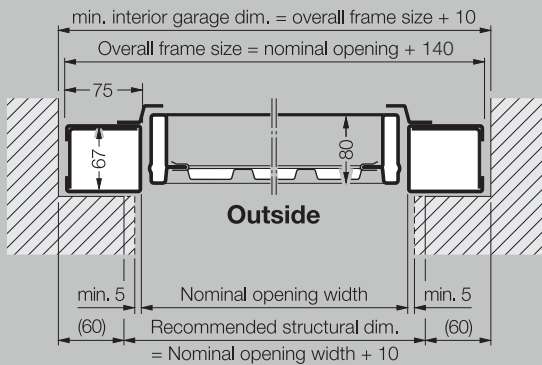
**For overall dimensions of Hörmann steel frame, add 5 1/2" (140 mm) to nominal opening width and 2 1/4" (57 mm) to nominal opening height.**

Position of anchors

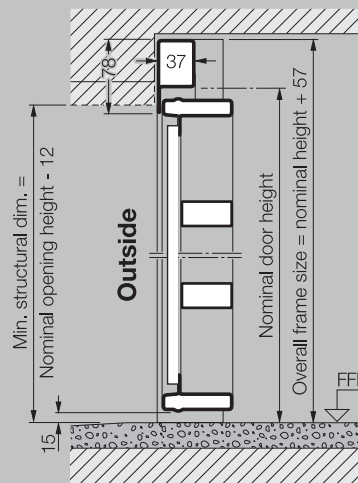


\* Distance back for ProMatic / SupraMatic electric operator:  
 3200 mm up to door height 2500 mm  
 3450 mm up to door height 2750 mm

Fitting behind the opening



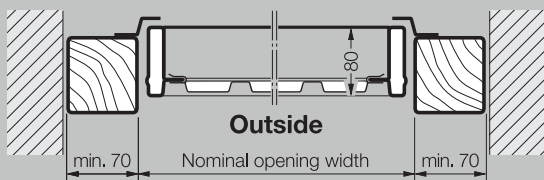
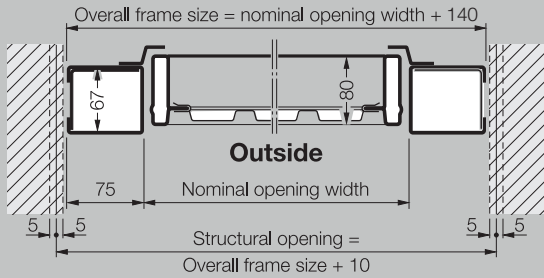
Door with flat floor



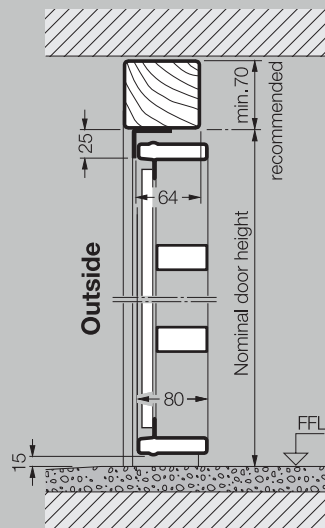
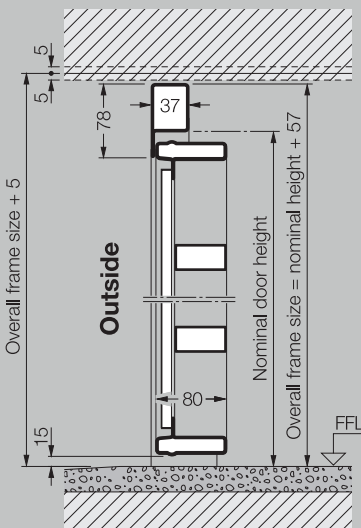
**With ProMatic / SupraMatic operator**  
 No additional headroom required.  
 Exception: some timber designs allow 15 mm clearance.



## Fitting in the opening



Fitting in the opening requires that the given dimensions be adhered to with greater accuracy.



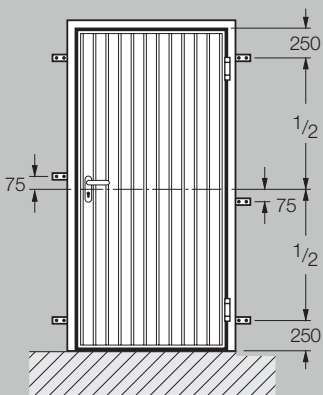
### With ProMatic / SupraMatic operator

No additional headroom required.

Exception: some timber designs allow 15 mm clearance.

Single leaf

Position of anchors



Standard sizes for single-leaf doors (Dimensions in mm)

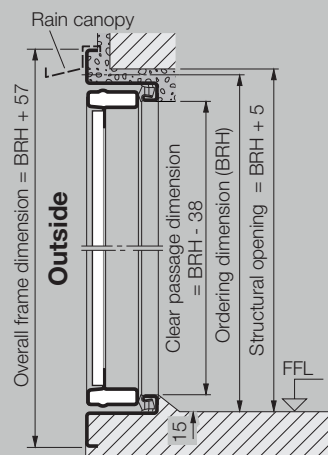
Ordering size (BR)		Structural opening		Clear passage dimensions			Height of lever handle from FFL
				Width	with threshold	without threshold	
Width	Height	Width	Height	Width	Height	Height	
875	1875	885	1880	830	1837	1852	990
875	2000	885	2005	830	1962	1977	1050
875	2125	885	2130	830	2087	2102	1110
1000	2000	1010	2005	955	1962	1977	1050
1000	2125	1010	2130	955	2087	2102	1110

Standard sizes with steel infill and open-for-infill frames are supplied for external fitting as standard. For internal fitting, fittings can be reversed. Designs with timber infill for external fitting only.

Block frame for fitting into the opening: dimensions and versions on request.

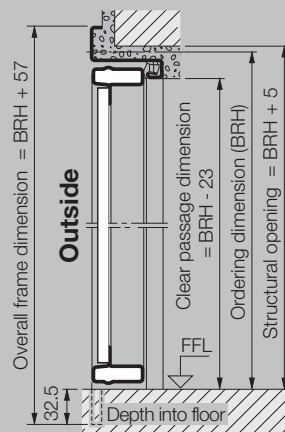
Maximum size range (BR): 1250 x 2375 mm.

Single leaf door with stepped floor



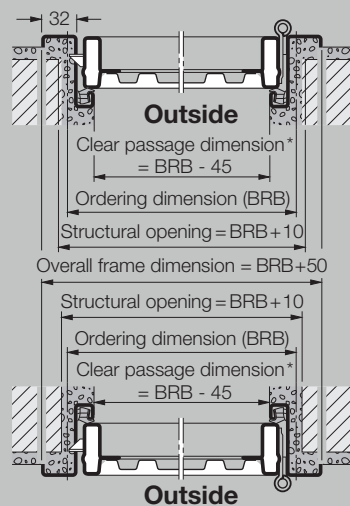
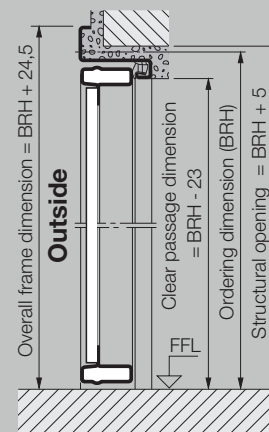
Single leaf door

Supplied with bottom threshold as standard, will be removed on site



Single leaf door

Supplied without bottom threshold

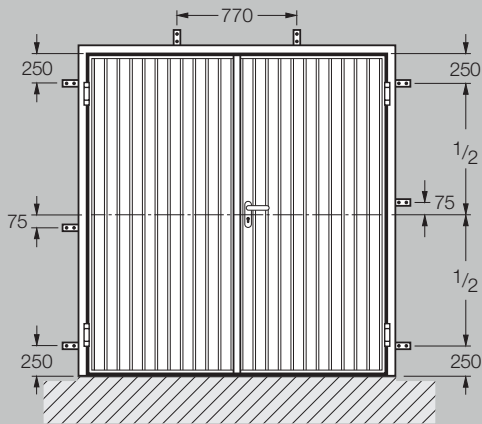


\* With an opening angle of less than 180°, the clear passage width is reduced.



# Double leaf

## Position of anchors



Single leaf, external fitting (standard)



LH hinged

RH hinged

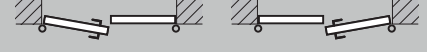
Single leaf, internal fitting (outside)



Traffic leaf  
LH hinged

Traffic leaf  
RH hinged

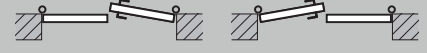
Double leaf, external fitting (standard)



LH hinged

RH hinged

Double leaf, internal fitting (outside)



Traffic leaf  
LH hinged

Traffic leaf  
RH hinged

External fitting with threshold profile.

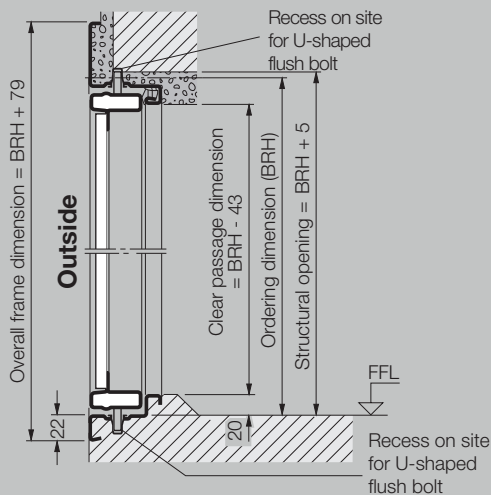
For internally fitted doors, the threshold angle/ transport angle should always be removed. Adequate water drainage to the outside must then be ensured. For doors on the weather side external fitting is preferable.

Supplied as standard for external fitting, traffic leaf on the right.

State on order if internal fitting or left hand traffic leaf is required.

Equal division of leaves only.

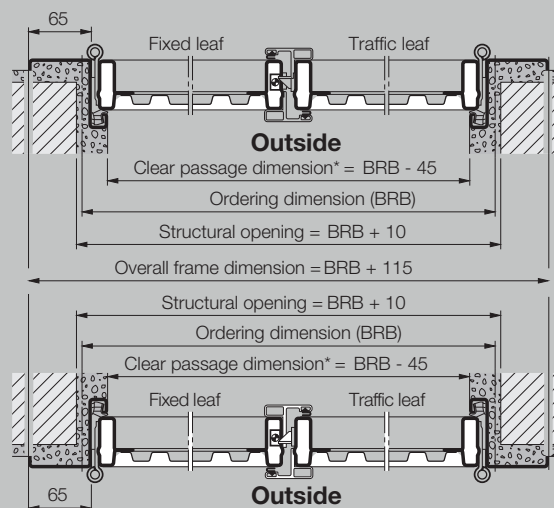
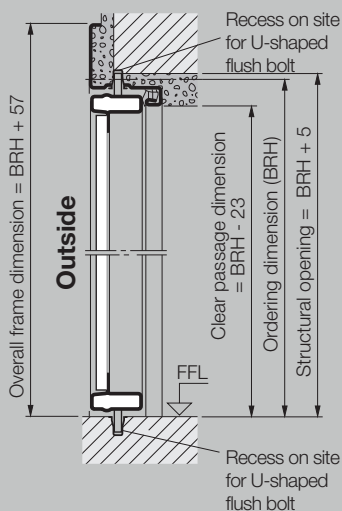
## Door with flat floor



Block frame for fitting into the opening: dimensions and versions on request.

Size range: Width (ordering size) from 1300 to 2500 mm,  
Height (ordering size) Panelled designs only up to BRB = 2000 mm.

## Door with stepped floor



\* With an opening angle of less than 180°, the clear passage width is reduced.

# Hörmann: Quality without Compromise



Hörmann KG Amshausen, Germany



Hörmann KG Antriebstechnik, Germany



Hörmann KG Brandis, Germany



Hörmann KG Brockhagen, Germany



Hörmann KG Dissen, Germany



Hörmann KG Eckelhausen, Germany



Hörmann KG Freisen, Germany



Hörmann KG Ichtershausen, Germany



Hörmann KG Werne, Germany



Hörmann Alkmaar B.V., Netherlands



Hörmann Legnica Sp. z o.o., Poland



Hörmann Beijing, China



Hörmann Tianjin, China



Hörmann LLC, Montgomery IL, USA



Hörmann Flexon LLC, Burgettstown PA, USA



Shakti Hörmann Pvt. Ltd., India

Hörmann is the only manufacturer worldwide that offers you a complete range of all major building products from one source. We manufacture in highly-specialised factories using the latest production technologies. The close-meshed network of sales and service companies throughout Europe, and activities in the USA and Asia, make Hörmann your strong partner for first-class building products, offering “Quality without Compromise”.

**GARAGE DOORS**  
**OPERATORS**  
**INDUSTRIAL DOORS**  
**LOADING EQUIPMENT**  
**HINGED DOORS**  
**DOOR FRAMES**

Access & Security Systems Ltd  
 Head Office and Showroom:  
 Unit 7 Bacchus House,  
 Calleva Park,  
 Aldermaston,  
 Berkshire,  
 RG7 8EN  
 Tel: 0118 98 7300  
 Email: [info@rollergaragedoorscentre.co.uk](mailto:info@rollergaragedoorscentre.co.uk)  
 Web: [www.rollergaragedoorscentre.co.uk](http://www.rollergaragedoorscentre.co.uk)



Incorporating Abbey Garage Doors & Abbey Awnings

**Hörmann (UK) Ltd**, Gee Road, Coalville, Leicestershire LE67 4JW  
 Phone (01530) 513000, Fax (01530) 513001

